

TL39

TRAILER MOUNTED BOOM LIFT



- Tough yet compact trailer mounted boom lift
- Easy to set-up hydraulic outriggers
- Manoeuvrable articulating/telescopic boom
- Smooth, easy to operate controls
- Simple to maintain

 **snorkel**
www.snorkellifts.com

TRAILER MOUNTED BOOM LIFT

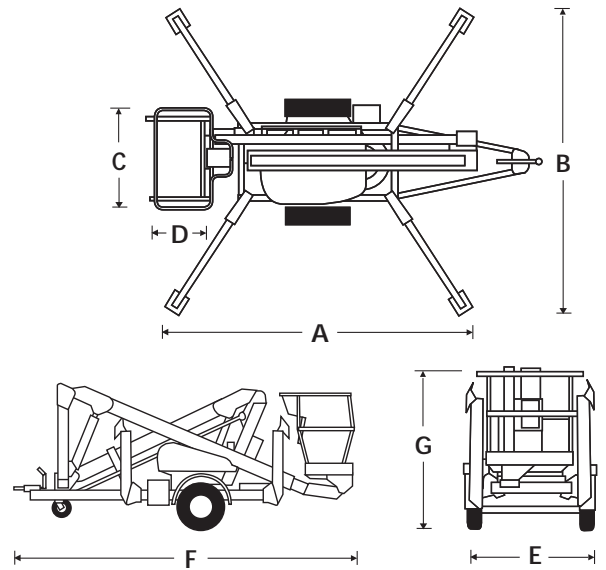
TL39

DIMENSIONS	TL39
Max. working height	13.8m
Max. platform height	11.8m
Max. working outreach	6.4m
Platform width (C)	1.15m
Platform depth (D)	0.70m
Outrigger footprint (A x B)	4.0m x 3.6m
Towing width (E)	1.60m
Towing length (F)	4.90m
Stowed height (G)	2.20m
Guardrail height	1.10m
Toeboard height	0.15m

PERFORMANCE	
Platform capacity (SWL)	215kg
Turret rotation (non-continuous)	540°
Wheels	185R14 C8
Controls	electric over hydraulic, variable speed

POWER	
Power source	24V DC motor
Battery	4 x 6V, 225Ah

WEIGHT	
Gross weight (DC)	1,694kg
Gross weight (Bi-energy)	1,740kg



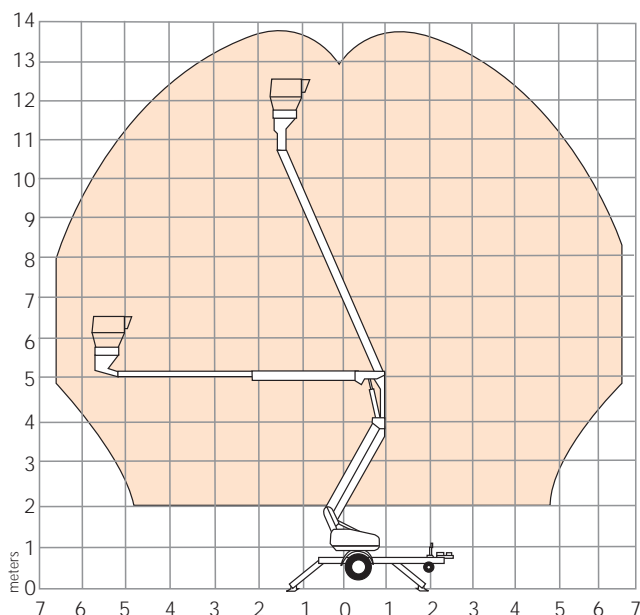
STANDARD FEATURES

- Hydraulic outriggers
- Load sensing outrigger interlocks
- Articulating / telescopic boom configuration
- Electric controls at cage and base
- Power line to platform (no sockets)
- Automatic reverse and over-run braking
- Integrated automatic battery charger 110-230V
- CE approved

OPTIONS

- Special paint colours
- Auto-level outriggers with LED indicators
- 180° manual platform rotator
- Platform work lights
- Air line to platform
- Flashing amber beacon
- Spare wheel
- Lifting lugs
- Alternative power sources:
 - Mains electric
 - Gasoline or diesel engine
 - Bi-Energy (DC & IC engine)

WORKING ENVELOPE



snorkel www.snorkellifts.com

Vigo Centre, Birtley Road,
Washington, Tyne & Wear,
NE38 9DA, U.K.

t: +44 (0) 845 1550 057

e: sales@snorkellifts.com