

TL37J

TRAILER MOUNTED BOOM LIFT



- High specification trailer mounted boom lift
- Excellent working envelope including a jib boom
- Hydraulic outriggers for simple set-up
- Proportional controls for easy operation
- Range of power source options

 **snorkel**
www.snorkellifts.com

TRAILER MOUNTED BOOM LIFT

TL37J

DIMENSIONS TL37J

Max. working height	13.2m
Max. platform height	11.2m
Max. working outreach	5.9m
Platform width (C)	1.20m
Platform depth (D)	0.80m
Outrigger footprint (A x B)	3.60m x 3.00m
Towing width (E)	1.48m
Towing length (F)	6.40m
Stowed height (G)	1.95m

PERFORMANCE

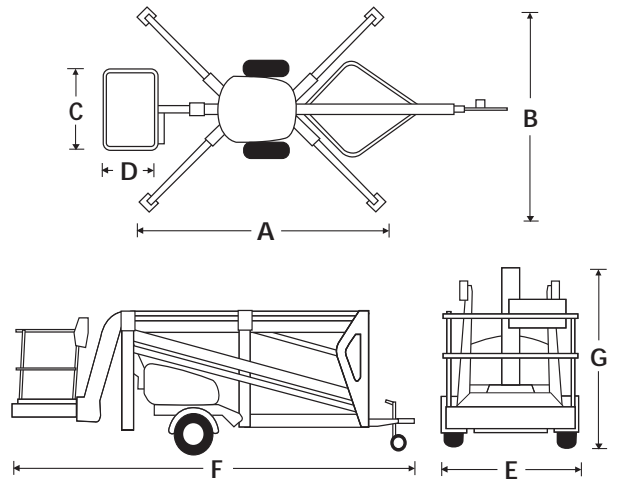
Platform capacity (SWL)	215kg
Jib length	1.3m
Jib arc	130°
Platform rotation	160°
Turret rotation (non-continuous)	640°
Wheels	165/80 R13
Controls	hydraulic proportional

POWER

Power source	24V battery (4 x 6V 195Ah batteries)
Power options	bi-energy (petrol & battery) power or 230V mains

WEIGHT

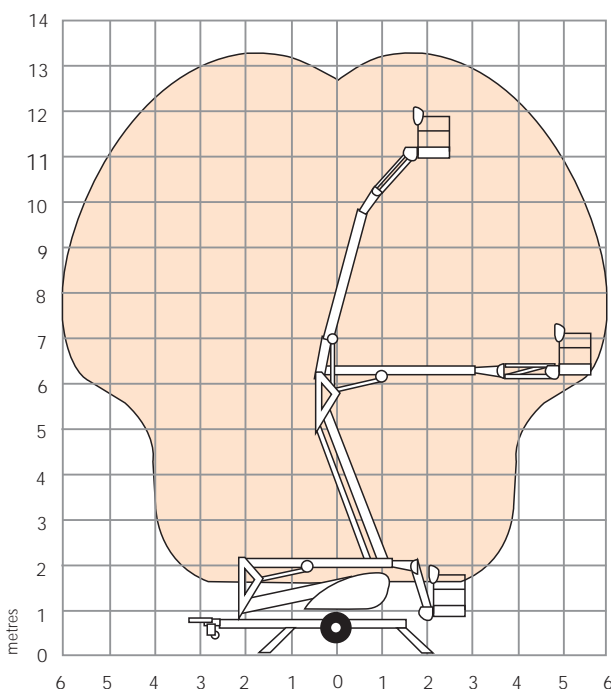
Gross weight (battery model)	1,450kg
------------------------------	---------



STANDARD FEATURES

- 1.3m jib with 130° working arc
- In-line boom design for maximum rigidity
- 160° powered platform rotation
- Cycle protection guards
- Hand pump emergency lowering from platform
- Power line to platform (no sockets)
- Proportional live hydraulic controls
- Automatic reversing and overrun braking
- Integral road lighting board
- 24V battery (4 x 6V 195ah batteries) or 230V mains power
- CE approved

WORKING ENVELOPE



OPTIONS

- Special paint colours
- Hydraulic friction drive assist system
- On-board 230V generator for mains powered units
- Bi-Energy (petrol and DC battery) power
- GRP platform

snorkel www.snorkellifts.com

Vigo Centre, Birtley Road,
Washington, Tyne & Wear,
NE38 9DA, U.K.

t: +44 (0) 845 1550 057

e: sales@snorkellifts.com