

# TL34

## TRAILER MOUNTED BOOM LIFT



- Entry-level trailer mounted boom lift
- Lightweight and compact
- Easy to use hydraulic controls
- Simple and cost-effective to maintain
- Towable with most vehicles

 **snorkel**  
[www.snorkellifts.com](http://www.snorkellifts.com)

# TRAILER MOUNTED BOOM LIFT

# TL34

## DIMENSIONS TL34

Max. working height	12.2m
Max. platform height	10.2m
Max. working outreach	5.0m
Platform width (C)	1.20m
Platform depth (D)	0.80m
Outrigger footprint (A x B)	3.60m x 3.60m
Towing width (E)	1.50m
Towing length (F)	5.20m
Stowed height (G)	2.20m

## PERFORMANCE

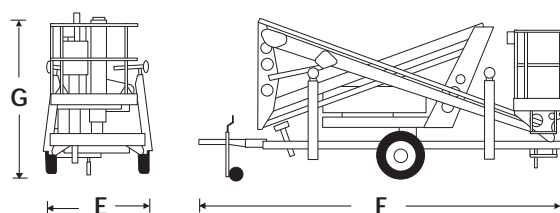
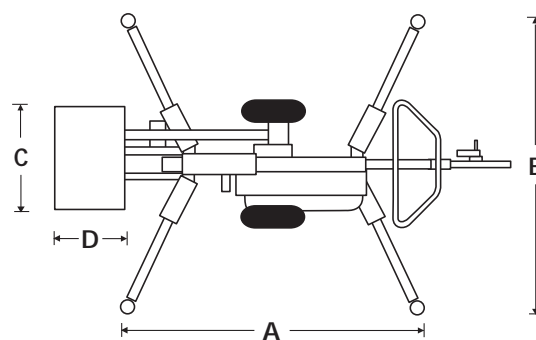
Platform capacity (SWL)	215kg
Turret rotation (non-continuous)	360°
Wheels	165/80 R13
Controls	Full pressure hydraulic proportional

## POWER

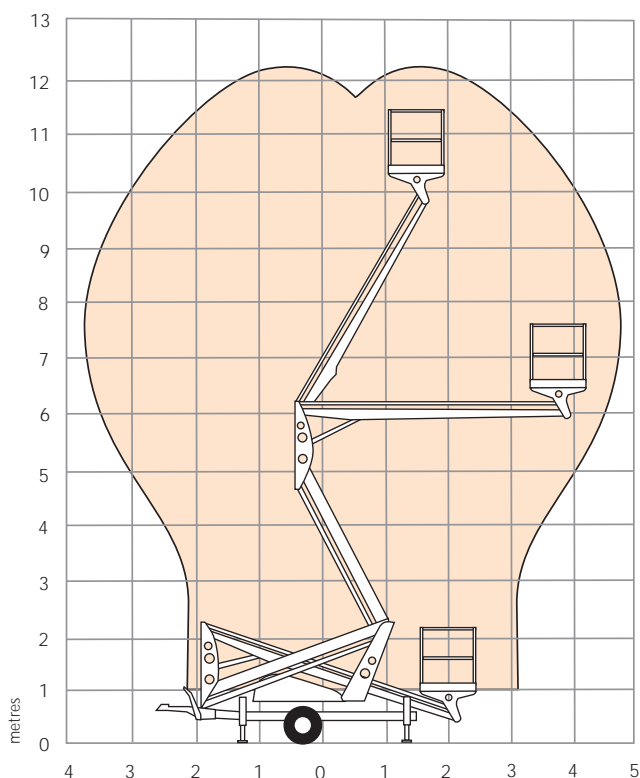
Power source	12V DC motor
Battery	2 x 6V 225Ah

## WEIGHT

Gross weight	1300kg
--------------	--------



## WORKING ENVELOPE



## STANDARD FEATURES

- Manual fold-down outriggers
- Load sensing outrigger interlocks with LED indicators
- Power-save descent feature
- Proportional live hydraulic controls at cage
- Secondary controls at chassis
- Automatic reverse and over-run braking
- Power line to platform (no sockets)
- Integral road lighting board
- Integrated automatic battery charger 110-230V
- CE approved

## OPTIONS

- Special paint colours
- Hydraulic outriggers

**snorkel** [www.snorkellifts.com](http://www.snorkellifts.com)

Vigo Centre, Birtley Road,  
Washington, Tyne & Wear,  
NE38 9DA, U.K.

t: +44 (0) 845 1550 057  
e: sales@snorkellifts.com