

PAM26

PUSH AROUND MAST LIFTS



- Easy to use push-around mast lifts
- Compact and lightweight
- Passes through a standard doorway
- Low maintenance
- Available in AC or DC

 **snorkel**
www.snorkellifts.com

PUSH AROUND MAST LIFTS

PAM26

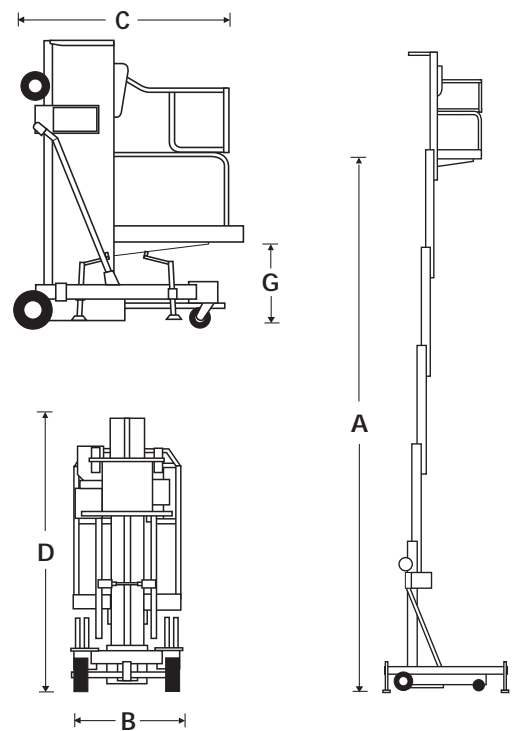
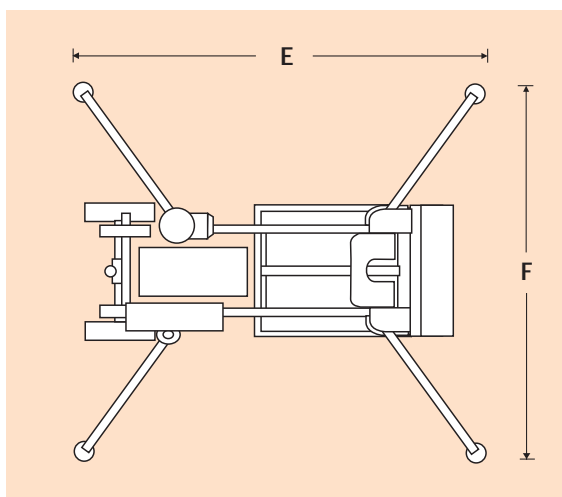
DIMENSIONS	PAM26
Max. working height	10.0m
Max. platform height (A)	8.0m
Platform length	0.60m
Platform width	0.60m
Stowed platform deck height (G)	0.65m
Outrigger footprint (E x F)	1.74m x 1.45m
Overall width (B)	0.69m
Overall length (C)	1.20m
Stowed height (D)	1.98m
Guardrail height	1.10m
Toeboard height	0.15m

PERFORMANCE	
Platform capacity (SWL)	125kg
Max. operating wind speed	0m/s
Raise/lower time	85/81 sec
Lifts on a single charge	200
Wheels	250mm x 75mm. rear, 150mm. front
Controls	Push button

POWER	
Power source	110-230V AC or 12V DC motor
Battery	2 x 12V 150Ah

WEIGHT	
Gross weight (AC)	340kg
Gross weight (DC)	390kg

OUTRIGGER FOOTPRINT



STANDARD FEATURES

- Ground level duplicate controls
- Battery charge indicator
- Bubble level indicator
- Quick-set swing-out outriggers
- Outrigger interlocks
- Easy-load device for pick-up trucks
- Non-marking wheels & castors
- Integrated automatic battery charger 110-230V
- Sealed for life battery (DC)
- Removable battery box (DC)
- CE approved

OPTIONS

- Special paint colours

snorkel www.snorkellifts.com

Vigo Centre, Birtley Road,
Washington, Tyne & Wear,
NE38 9DA, U.K.

t: +44 (0) 845 1550 057

e: sales@snorkellifts.com