

# M1230E

## VERTICAL MAST LIFT



- Industry-leading self-propelled telescopic mast lift
- Versatile, robust and simple to use
- Drives through a standard doorway
- Compact & easy to manoeuvre
- Ideal for many applications – from construction to stockpicking!

 **snorkel**  
[www.snorkellifts.com](http://www.snorkellifts.com)

# VERTICAL MAST LIFT

# M1230E

## DIMENSIONS M1230E

Max. working height	5.6m
Max. platform height (A)	3.63m
Platform size	0.74m x 0.96m
Overall width (B)	0.76m
Overall length (D)	1.36m
Stowed height (C)	1.7m
Ground clearance	76mm

## PERFORMANCE

Platform capacity (SWL)	227kg
Max. drive height	3.7m
Max. drive speed (stowed)	3.2km/h
Max. drive speed (elevated)	0.65km/h
Raise/lower time	18/25 sec
Gradeability	25%
Max. operating slope (side to side)	1.5°
Max. operating slope (front to back)	2°
Inside turning radius	0.37m
Outside turning radius	1.4m
Tyres	305mm. dia. solid rubber, non-marking
Parking brake	2 wheel, spring-applied, hydraulically-released with manual overdrive
Drive system	dual front hydraulic motors
Controls	proportional

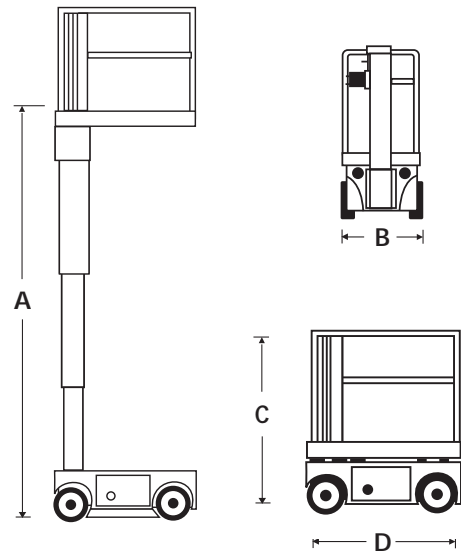
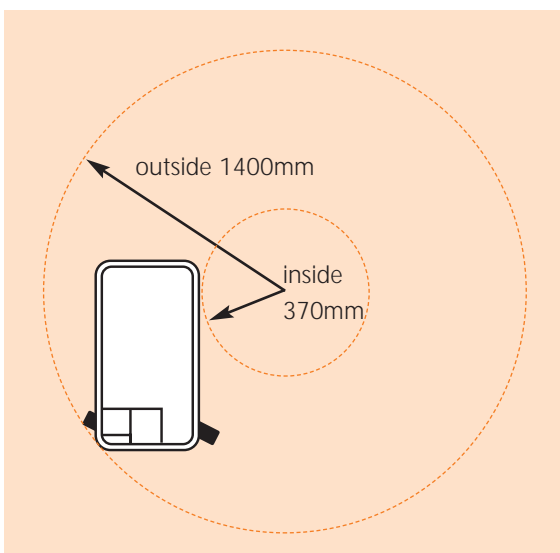
## POWER

Power source	24V 4hp DC electric motor 4-220 Ah batteries
Battery charger	90V - 240V - 18 amp automatic

## WEIGHT

Weight	780kg
--------	-------

## TURNING RADIUS



## STANDARD FEATURES

- Proportional controls
- Descent and tilt alarms
- High amp hour rating gives long usage between charges
- Emergency lowering at chassis controls
- Non-marking, solid rubber tyres
- Power line to platform
- Forklift pockets
- Saloon door-style platform entry
- Horn
- Tie down points
- 2 persons + equipment capacity indoors
- 1 person + equipment capacity outdoors
- Selectable motion alarm
- CE approved

## OPTIONS

- Special paint colours
- Extension deck
- Environmental green oil

**snorkel** [www.snorkellifts.com](http://www.snorkellifts.com)

Vigo Centre, Birtley Road,  
Washington, Tyne & Wear,  
NE38 9DA, U.K.

t: +44 (0) 845 1550 057

e: sales@snorkellifts.com